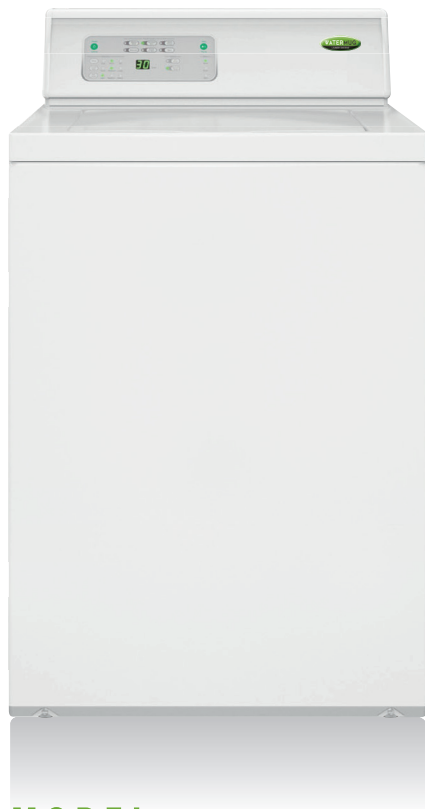


SMART
LAUNDRY
TECHNOLOGY



Compact Commercial
Laundry



MODEL

FWNE52 WASHER 8 KGS



FDEE7R ELECTRIC DRYER 9 KGS

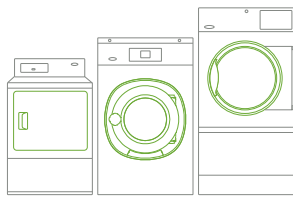
FDGE7R GAS DRYER 9 KGS

TOP LOADING WASHER FEATURES

- EXTRA LARGE CAPACITY STAINLESS STEEL TUB
- LARGE LID OPENING FOR EASY LOADING
- ADVANCED SUSPENSION SYSTEM
- NO POSSIBILITY FOR LOAD UNBALANCE
- COMMERCIAL ALL METAL TRANSMISSION
- HIGHEST QUALITY AND DURABILITY
- DIGITAL DISPLAY WITH COUNTDOWN
- MULTI-CYCLE CONTROLS

SINGLE DRYER FEATURES

- DURABLE GALVANIZED STEEL CYLINDER
- EFFICIENT DRYER HEATING WITH 21MJ (GAS MODELS) AND UP TO 40,000 WATTS (ELECTRIC MODELS)
- LARGE, EASY-TO-CLEAN LINT COMPARTMENT
- REVERSIBLE DOOR
- LARGE DOOR OPENING PROVIDING EASY LOADING AND UNLOADING
- OPTIONAL VENTING POSITIONS
- MOISTURE SENSING SYSTEM GIVES ACCURATE TEMPERATURE CONTROL, PROTECTING GARMENTS AND REDUCING ENERGY CONSUMPTION



SMART
LAUNDRY
TECHNOLOGY



CONTROLS

Top loading washer Electronic Control

The Electronic Control keeps users informed throughout the wash process with cycle status lights and digital cycle countdown.

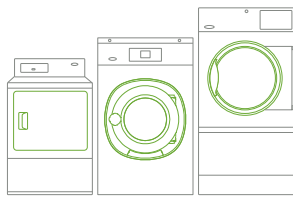
Users also have the flexibility to control temperature, load type, and soil levels, as well as the option of pre-wash and/or additional rinse to achieve high levels of efficiency.

Single dryer Electronic Control

The Electronic control keeps users informed throughout the drying process with cycle status lights and a digital cycle countdown. Automatic(moisture sensing) cycles come standard.

DIMENSIONS & SPECIFICATIONS

MODEL	FWNE52	FDEE7R (Electric) FDGE7R (gas)
Type	Top Loading Washer	Single Dryer
Control	Electronic	Electronic
Control Location	Rear	Rear
Drum		
Capacity kg	8kg	9 kg
Cylinder volume litres	92.3 Lt	198 Lt
Drum speed		
Spin speed G-Force	150	n/a
Spin speed rpm	710	n/a
Motor		
Motor size kW	0.37	0.25
Cabinet		
Cylinder finish	Stainless steel	White
Colours	White	White
Door type (solid/window)	n/a	Solid
Heating		
Heat sources	n/a	Electric or natural Gsa, LPG Optional
Heating element(ElectricW)	n/a	4000
Connection		
Gas connection mm	n/a	9.5
Gas consumption MJ/Hr	n/a	21.09 MJ
Exhaust outlet dis. mm	n/a	102
Exhaust airflow litres/sec	n/a	85
Water temperatures	3	n/a
Operation		
Cycles	Heavy Duty, Normal Eco, Perm Press, Delicate Rinse and Spin, Spin Only	Regular, Perm Press, Delicate, Time Dry Quick Dry, Fluff Up
Water consumption per cycle litres	92.2	n/a
Water pressure kPa	140/830kPa	n/a
Cycle indicator lights	Digital display	Digital display
Power		
Electrical requirements (voltage/Hz/Ph)	240/50/1.6 amp	240/50/1, Electric 20 amp, Gas 4 amp
Transport data		
Net weight kg	82	Electric/Gas 59/61
Shipping weight kg	88	Electric/gas 64/66
Diamensions HxWxDmm	1092x650x711	1092x683x711
Packing dimensions HxWxD mm	1124x699x762	1156x737x832

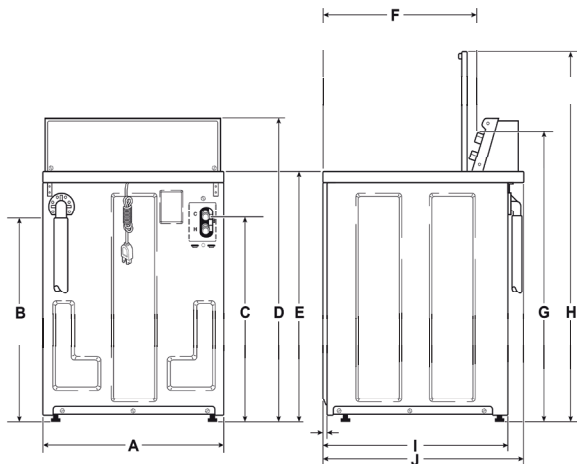


SMART
LAUNDRY
TECHNOLOGY



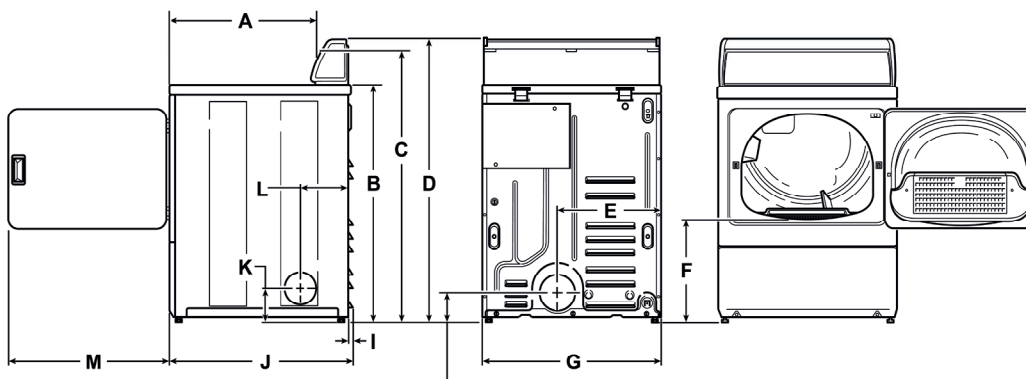
Dimensions
Top Loading Washer

	A	B	C	D	E	F	G	H	I	J
FWNE52	651	745	730	1092	914	547	1025	1295	660	711



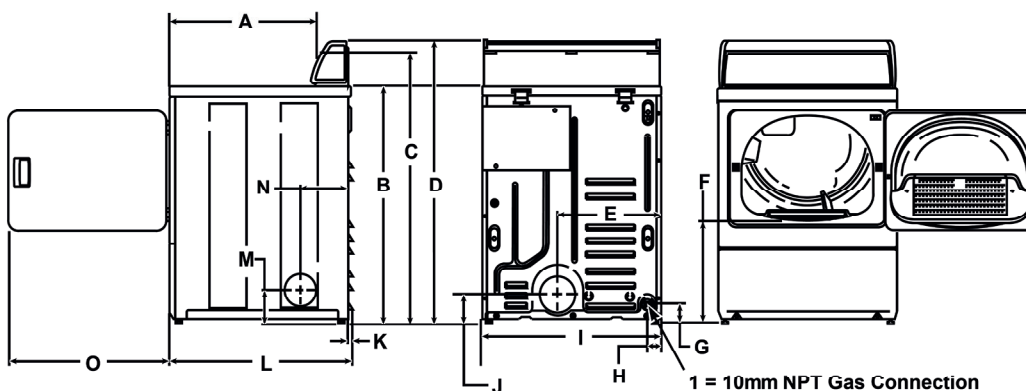
Dimensions
Electric Dryer

	A	B	C	D	E	F	G	H	I	J	L	M	N
FDEE7R	589	914	1036	1092	391	392	683	102	10	711	114	203	597



Dimensions
Electric Dryer

	A	B	C	D	E	F	G	H	I	J	L	M	N	O	P
FDGE7R	589	914	1036	1092	391	392	70	60	683	102	10	711	114	203	597



1 = 10mm NPT Gas Connection



www.watermuglaundry.com

Manufactured By

ALLIANCE LAUNDRY SYSTEMS

Shepard Street, P.O. Box 990, Ripon, WI 0990-54971, U.S.A

www.alliancelaundry.com

